

GENEE G-TOUCH® RUBY EDLA 75"

SPECIFICATIONS

| Display | |
|----------------------|------------------------------------|
| Screen Size | 75 Inch |
| Backlight | DLED |
| Pixel Pitch | 0.14325 (H) × 0.42975 (V) mm |
| Resolution | 3840 × 2160 @60 Hz |
| Brightness | 400 cd/m ² (Typ.) |
| Colour Depth | 10 bit |
| Display Colour | 1.07G |
| Response Time | 6 ms |
| Panel Type | VA |
| Contrast Ratio | 5000:1 (Static) 30,000:1 (Dynamic) |
| Color Gamut | 72% NTSC (CIE1931) (Typ.) |
| Refresh Rate | 60 Hz |
| Viewing Angle | 178°(H)/178°(V) |
| Aspect Ratio | 16:9 |
| Surface Hardness | 9H |
| Surface Glass | 3.2 mm Anti-Glare Glass |
| Surface Haze | 25%Haze |
| Glass Bonding Method | Zero Lamination |
| Display Area | 1650.24mm X 928.26mm |
| Working Duration | 7 × 16H |
| Transmittance | 88% ± 3 |
| Lifespan | 50,000 hours |

| Touch | |
|----------------------|------------------------------|
| Type | Infrared Touch Screen |
| Touch Point | 45 point multi-touch |
| Touch Response Time | < 5 ms |
| Minimum Touch Object | ≥ 2 mm |
| Touch Precision | ± 1 mm (≥ 90% touching area) |
| Touch Resolution | 32768 × 32768 |

| Power | |
|---------------------|--------------------------|
| Power Supply | 100 to 240 VAC, 50/60 Hz |
| Standby Consumption | ≤ 0.5 W |
| Average Consumption | < 150W |

GENEE G-TOUCH® RUBY EDLA 75”

| Built-in System | |
|------------------|---|
| Operation System | Android 13.0 |
| Memory | 8 GB |
| Built-in Storage | 128 GB |
| Processor | Quad-core Cortex-A76 × 4 (2.4GHz) and quad-core Cortex-A55 × 4 (1.8GHz) |
| GPU | Mali-G610 MC4 |
| HDCP Version | 2.3 |

| Internal Function | |
|-------------------|---|
| Loudspeaker | Built-in 2 ×20 W+25W loudspeaker; |
| Bluetooth | Built-in BLE (Bluetooth Low Energy) module supports Bluetooth 5.1 |
| NFC | Support screen mirroring by Android phones |
| Light Sensor | Yes |

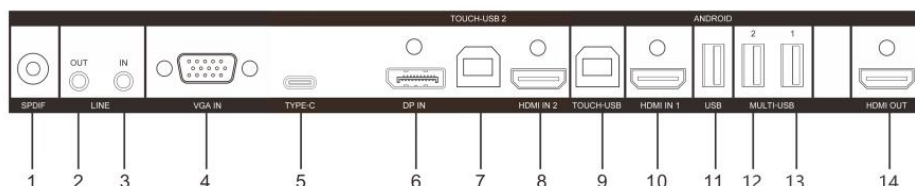
| Interface | |
|-----------------------------|--|
| Video & Audio Input | HDMI In (HDMI 2.0) × 3, VGA In × 1, DP In (DP 1.2) × 1, Audio In × 1 |
| Video & Audio Output | HDMI Out (HDMI 2.0) × 1, Audio Out × 1, SPDIF Out × 1 |
| Control interface | TOUCH-USB 3.0 × 3, RS232 × 1 |
| Network Interface | LAN (1000 Mbps) × 2 WIFI AP&Station 2.4G/5G IEEE 802.11 a/b/g/n/ac 2x2 MIMO (2.4 GHz and 5 GHz) authentication protocols WEP, WPA, WPA2, PSK and 802.1X EAP |
| Data Transmission Interface | USB 3.0 × 4, USB 2.0 × 1, Type-C × 2 (Type-C supports USB 2.0, DP 1.2, and charging functions; side charging 15 W, front charging 65 W) |

| General | |
|--------------------------------|--|
| VESA | 800 mm × 400 mm (4 × M8-25 mm) |
| Product dimensions | 1713.2 mm × 1019 mm × 82.5 mm |
| Accessory | Wall mount bracket, hook, user manual, touch writing pen, packing list, 3M touch USB cable, 3M HDMI cable (2.0), 1.5m power cable (European standard), Bluetooth remote control. |
| Package Dimensions (W × H × D) | 1937 mm × 264 mm × 1222 mm |
| Net Weight | 50.23 kg |
| Gross Weight | 66.62 kg |

| Working Environment | |
|---------------------|--------------------------------|
| Working Temperature | 0 °C to 40 °C (32 °F to 104°F) |
| Working Humidity | 10%~90% RH |

PHYSICAL INTERFACE

| Interface | Description |
|-------------|------------------------------------|
| SPDIF | SPDIF interface |
| Line OUT | Audio output interface |
| Line IN | Audio input interface |
| VGA IN | Video devices connection interface |
| TYPE-C | Type-C interface |
| DP IN | Display input interface |
| TOUCH-USB 2 | Peripheral touch interface |
| HDMI IN 2 | HDMI 2 input interface |
| TOUCH-USB | Peripheral touch interface |
| HDMI IN 1 | HDMI 1 input interface |
| USB | USB interface |
| MULTI-USB 2 | Multi-functional USB interface |
| MULTI-USB 1 | Multi-functional USB interface |
| HDMI OUT | HDMI output interface |



KEY FEATURES

Key Features

UHD 4K display with resolution of 3840×2160.

Anti-glare and anti-blocking design to ensure smooth interaction

Dual systems of Android and Windows (Optional) saving cost and easy to use, video conference software are recommended to run under Windows system.

Quick response, at most 45-points touch control and smooth writing experience.

Built-in network switch chip saves a network switch.

All-in-one design with tempered glass and intelligent temperature control, making it environmental-friendly and safety guaranteed, support blue light protection.

Built in enterprise grade Wi-Fi connectivity supporting certificate-based authentication to the network.

Screen recording

Device has Google EDLA (Enterprise Devices Licensing Agreement) Certification

Over-The-Air (OTA) updates

5 years (minimum) warrant

Anti-glare glass

Anti-friction glass

Simultaneous device connectivity

Bluetooth

Wi-Fi Direct connectivity

Wireless remote control

Text recognition

Shape recognition

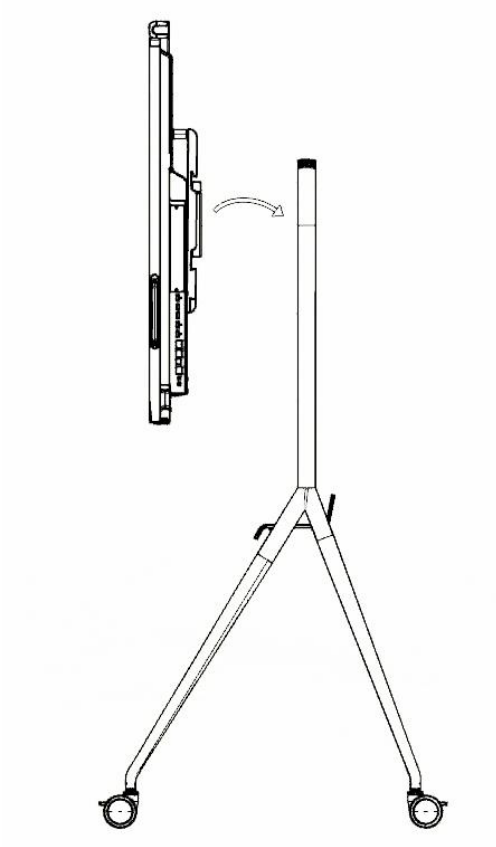
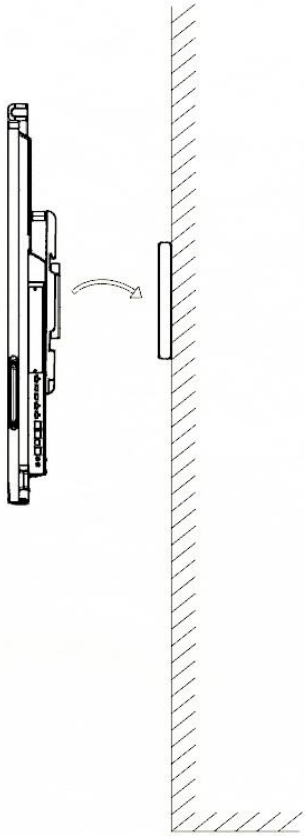
Auto-power off to reduce energy consumption

Published end of life date for security update

Package and delivery materials to support UK Plastics Pact or equivalent

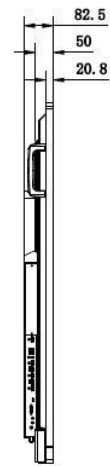
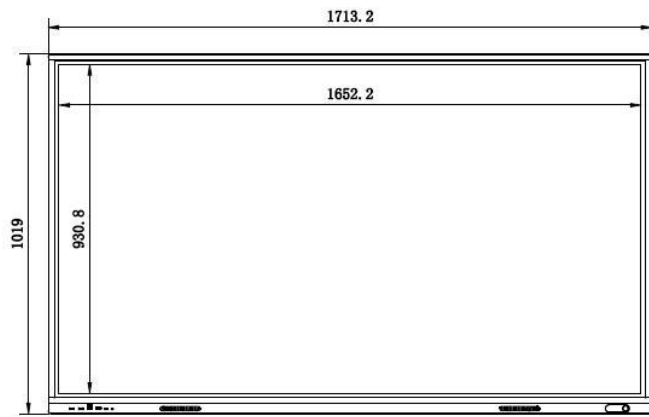
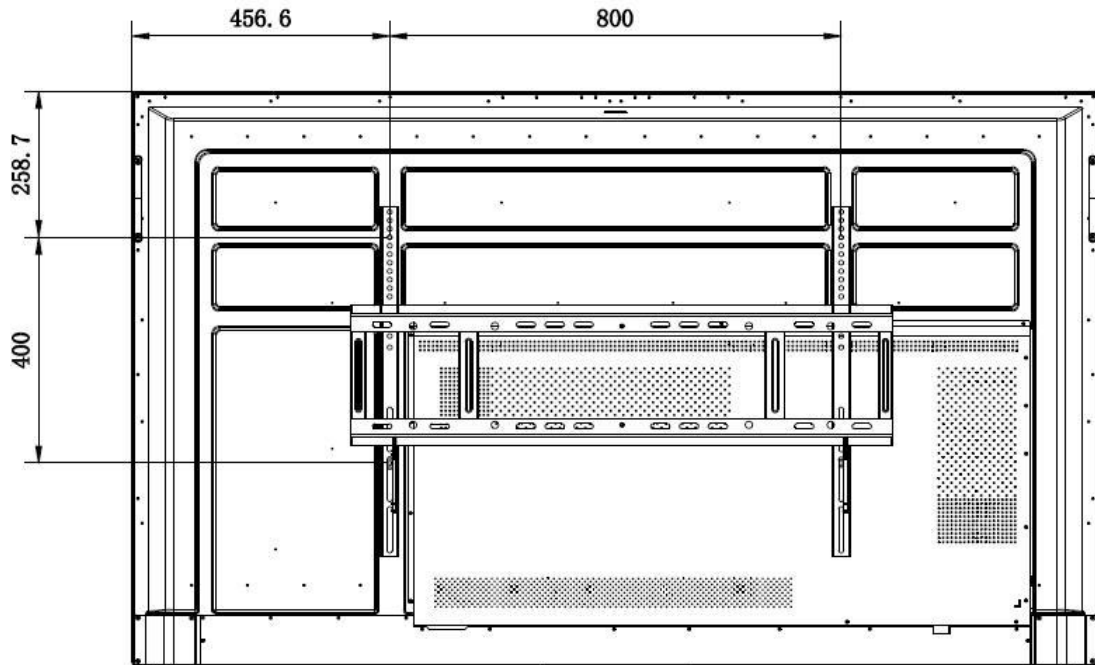
GENEE G-TOUCH® RUBY EDLA 75"

INSTALLATION

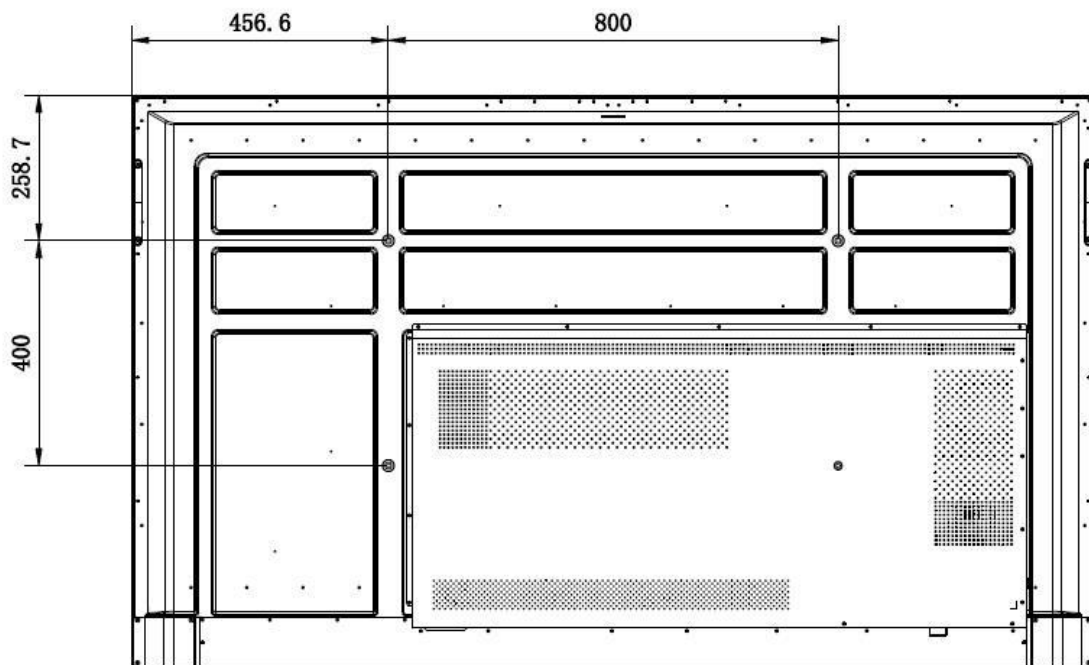


GENEE G-TOUCH® RUBY EDLA 75"

DIMENSIONS



GENEE G-TOUCH® RUBY EDLA 75"



OPTIONAL ACCESSORIES

DS-D5ABKY2-M 75-86” Conference Flat Panel Brackets



Model TSA010040
Genee OPS Unit Gold - I5 12th Gen (8GB / 256GB SSD With Windows Pro)



Model TSA010060
Genee OPS Unit Gold - I7 12th Gen (8GB / 256GB SSD With Windows Pro)



E&OE. Call us now to find out more.

www.genee-group.com | +44 (0)1902 390 862 | enquiries@genee-group.com



@GeneeGroup



@GeneeGroup



company/genee-group



@GeneeGroup